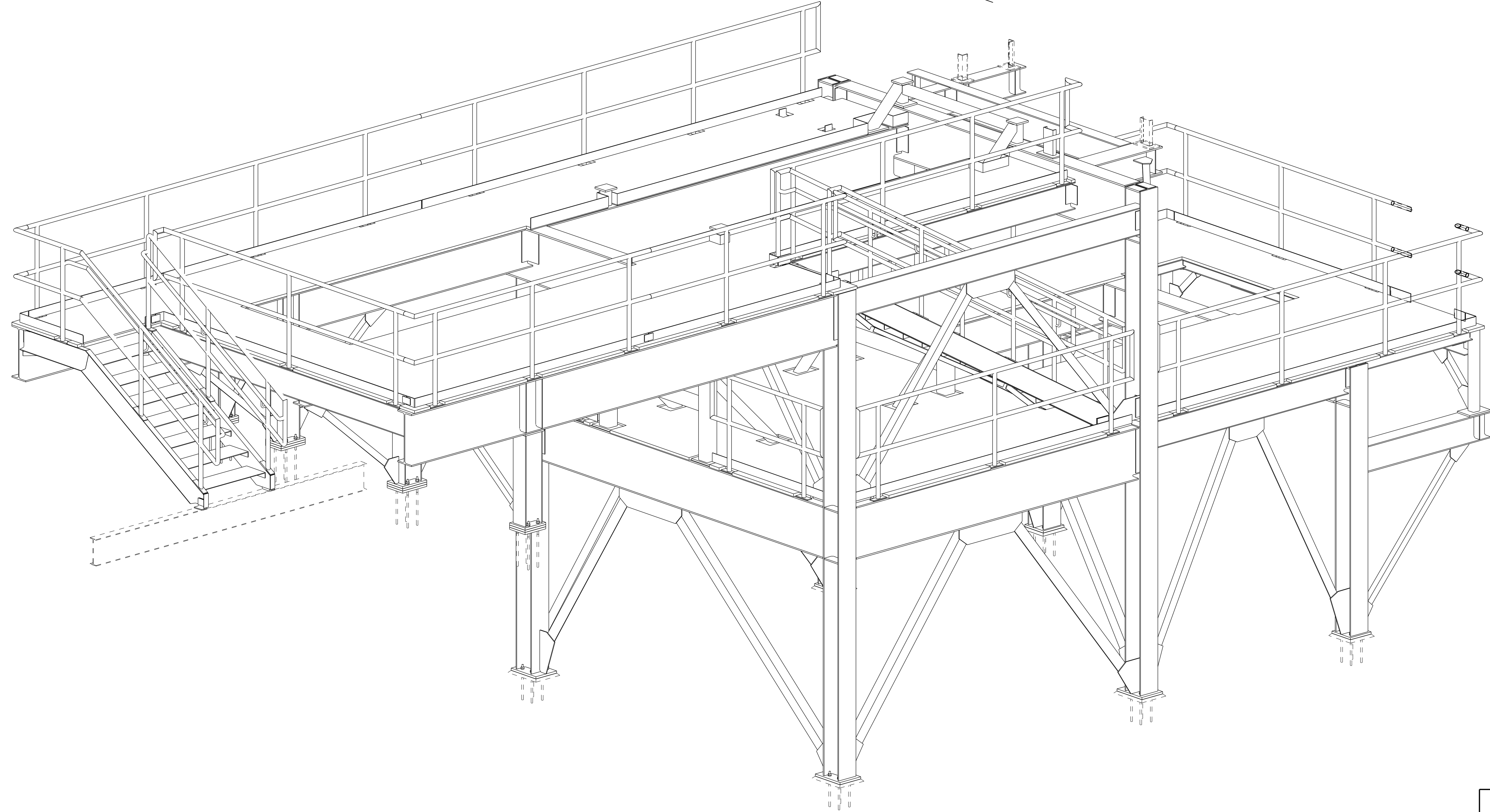
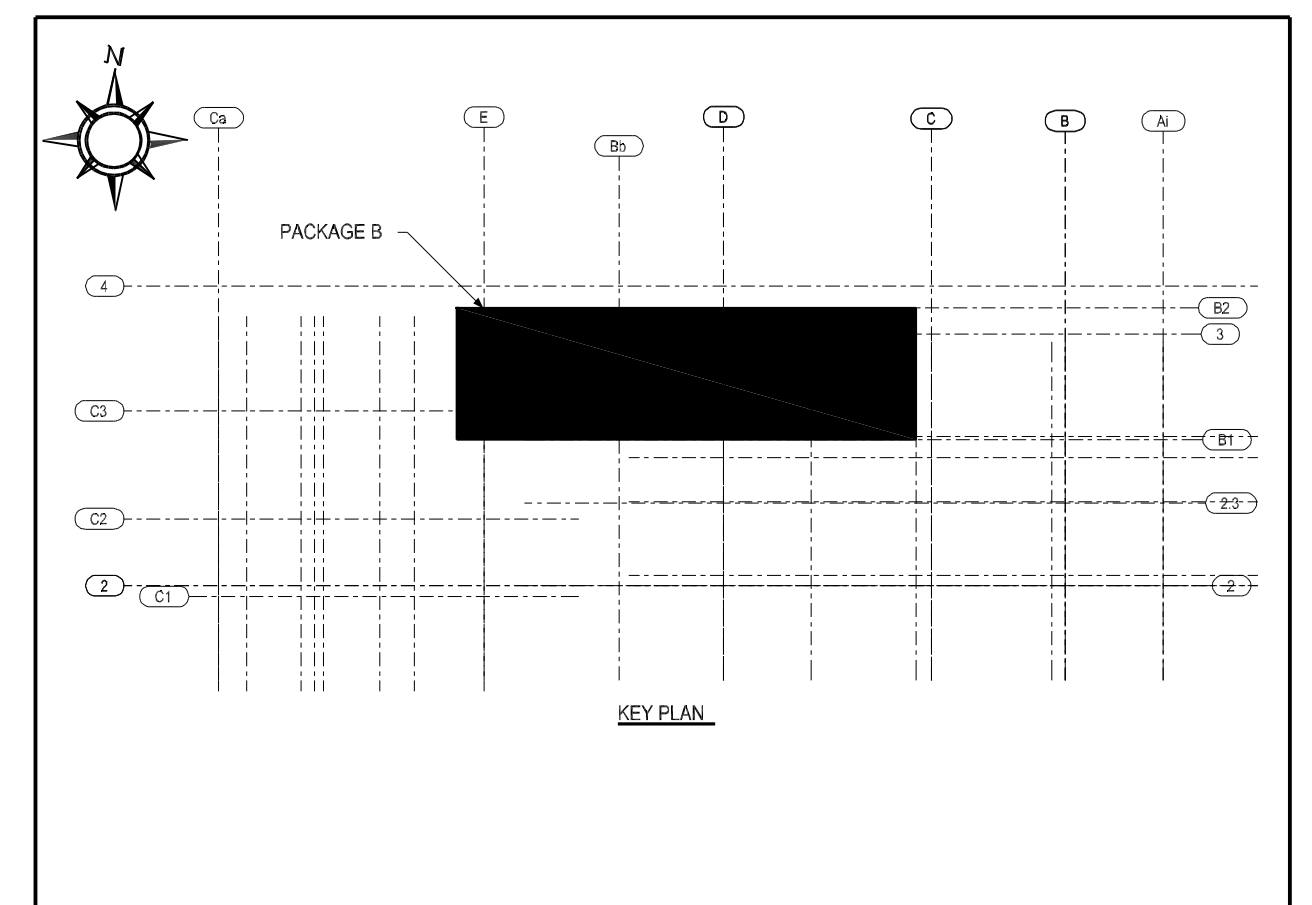


← NORTH



3D VIEW



ORACLE STEEL CONSULTANTS LTD		
PC Mark	Int.	Date
FIT - UP		
CRITICAL DIMENSION		
WELD INSPECTION		
COATING INSPECTION		
FINAL INSPECTION		

PROJECT NAME
COVANTA ESSEX AREA 3
LOCATION
183 RAYMOND BLVD, NEWARK, NJ
CONTRACTOR
COVANTA ESSEX CO.
DESCRIPTION

ORACLE STEEL CONSULTANTS LTD

DRAWN BY ERT CHECKED BY EDG JOB No. 13-0794-B
DATE 05/16/2013 DATE 05/22/2013 DRG No. E3000

DATE	NO.	DESCRIPTION	BY
			3D